

## Fiber Optic Test & Reference Cable Assemblies

Connected Fibers provides master reference Cable Assemblies for product testing with all standard connector types. These high quality assemblies can be utilized for many applications ranging from patch cord or reference cable testing, DWDM device testing, or high power applications. You can be confident in their performance and they will add to your testing reliability.



### Key Features

- Minimal Insertion loss and Back Reflection Guaranteed
- Exceeds Telcordia GR-CORE 326 end face geometry
- Clean and scratch-free ferrule end face
- UPC or APC ferrule end-face
- Uses the finest Japanese quality connectors and low concentricity ferrules.
- Optical performance and ferrule geometry is 100% factory tested and available with test report



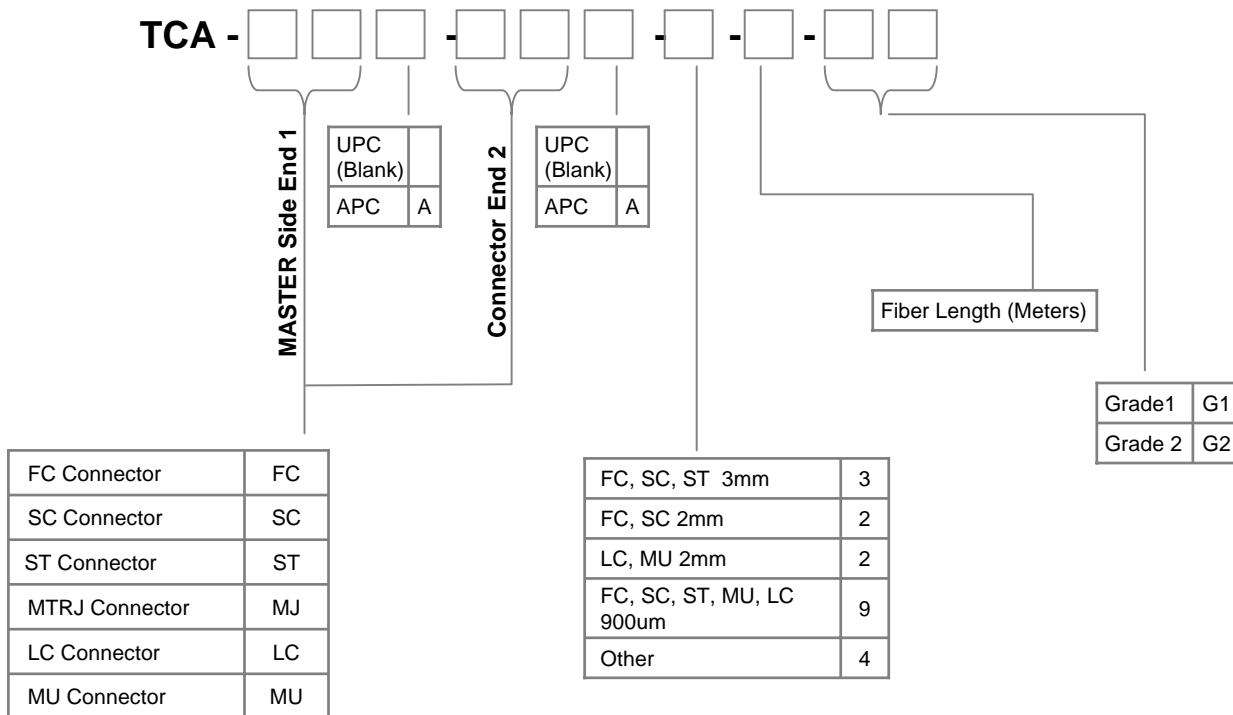
### Specifications

TYPE	SM UPC Grade 1	SM UPC Grade 2	SM APC Grade 1	SM APC Grade 2
Available Connectors	ST, SC, FC, LC, MU	SC, FC, LC, MU	SC, FC, LC	SC, FC, LC
Insertion Loss, Maximum	0.1dB	0.05dB	0.1dB	0.05dB
Return Loss, Maximum	-55dB	-55dB	-65dB	-65dB
End Face Geometry, including apex offset, radius of curvature, and fiber height	Meets or exceeds the requirements of GR-326			

## Specifications, Cont.

Core Concentricity	<0.5um	<0.25um	<0.5um	<0.25um
Length Tolerance (1-5m)	+/-10%	+/-10%	+/-10%	+/-10%
Operating Temperature	-20 to 70 deg C	-20 to 70 deg C	-20 to 70 deg C	-20 to 70 deg C
Storage Temperature	-40 to 70 deg C	-40 to 70 deg C	-40 to 70 deg C	-40 to 70 deg C
Inspection Data Included	I.L., B.R., Geometry, Core Eccentricity			

## Ordering Information



Example: Test cable assembly, LC/UPC (Test Grade) to FC/APC (Standard), Grade 1 I.L., 2mm cable, Singlemode 1310/1550nm, 3 meters

Part number TCA-LC-FCA-2-3-G1

Notes:

- 1) For cable assemblies with the same connectors on both ends, connector end 2 should be left blank.
- 2) For any variables or other custom cables, please call for part number.