

IP110 Series Camclosure® Network Camera System

INDOOR/OUTDOOR, NETWORK MINI DOME, SURFACE MOUNT

Product Features

- Power over Ethernet or 24 VAC Power Input
- Open Architecture
- Three Simultaneous Video Streams
 - Dual MPEG-4 (30 ips)
 - Scalable MJPEG
- Supported Protocols: TCP/IP, UDP/IP (Unicast, Multicast IGMP), UPnP, DNS, DHCP, RTP, NTP
- Multi Level Password Protection
- Weather Proof, Puncture Proof Bubble; Tamper-Resistant Hardware
- 8 Camera and Lens Options for Low Light Sensitivity, Extreme Lighting and Ultra High Resolution
 - Day/Night WDR
 - Day/Night High Resolution
 - Color WDR
 - Color High Resolution

The **IP110 Series Camclosure®** is an indoor/outdoor, fixed mini dome system with a built-in 100 Base-TX network interface for live streaming to a standard Web browser (Microsoft® Internet Explorer or FireFox®). The network mini dome features open architecture connectivity for third party software recording solutions and is also Endura Enabled™ to record, manage, configure, and view multiple live streams.

When connected to an Endura™ network-based video security system the mini dome has access to EnduraStor™ and EnduraView™ for optimized image quality and bandwidth efficiency. EnduraStor dramatically extends the recording duration at a lower frame rate, and EnduraView constantly monitors and automatically adjusts the system for the best picture possible.

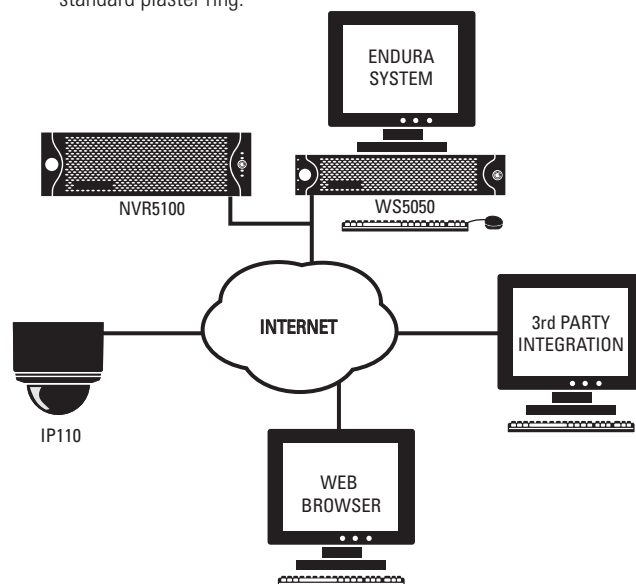
The **IP110 Series Camclosure** supports Application Programming Interface (API) for customized software solutions, giving users the flexibility to use third-party products. The **IP110 Series** integrates with Milestone Software, giving users the ability to add IP110 to any Milestone system seamlessly.

The **IP110 Series Camclosure** has built-in Power over Ethernet, which supplies power to the camera using the network, eliminating the need for a separate power supply and reducing the cost of installation. For installation flexibility the unit is also prewired for 24 VAC locally.



- Includes Video Service Connector for On-Site Setup
- Alarm Input and Output

The **IP110 Series Camclosure** is perfect for a variety of indoor and outdoor applications and its versatile design allows for multiple mounting options. It can be installed directly into a ceiling or wall, or to a 1.5-inch (3.81 mm) NPT fitting with the optional pendant mount adapter (ICS110-PG). The unit can also mount directly to a 4S electrical box using the optional adapter plate (ICS110-AP) or a standard plaster ring.



GENERAL

Construction	Aluminum with steel camera mounting bracket and polycarbonate dome
Finish	Light gray polyester powder coat
Light Attenuation	
Smoked	1.5 F-stops light loss
Clear	Zero light loss
Unit Weight	2.20 lb (1.00 kg)
Shipping Weight	4.0 lb (1.81 kg)

ELECTRICAL

Ports	RJ-45 connector for 100BASE-TX Auto MDI/MDI-X Auto-negotiate/Manual setting
Cabling Type	CAT5 or better for 100BASE-TX
Input Voltage	24 VAC (18-36) or PoE
Power Consumption	
DW/CW Models	<0.48 A maximum, 0.90 A maximum with heaters
DN/CH Models	<0.50 A maximum, 0.90 A maximum with heaters
Alarm Input	10 VDC maximum, 5 mA maximum
Alarm Output	0-15 VDC maximum, 75 mA maximum
Service Connector	Internal to housing 3-connector, 2.5 mm connector providing NTSC/PAL video outputs

MECHANICAL

Pan/Tilt Adjustment	Manual
Pan	360°
Tilt	80° (20° to 100° range)
Rotation	360°
Cable Entry	One 0.75-inch (1.91 cm) NPT threaded opening on side; two 0.75-inch (1.91 cm) openings on cover

VIDEO

Compression	MPEG-4, MJPEG in Web viewing mode
Video Streams	3, simultaneous
Video Resolutions	<u>NTSC</u> <u>PAL</u>
4CIF	704 x 480 704 x 576
2CIF	704 x 240 704 x 288
CIF	352 x 240 352 x 288
QCIF	176 x 120 176 x 144
Bit Rate Configurable	20 kbps; 2 Mbps per stream, implements EnduraView
Web User Interface	Pelco Device Utility interface for viewing HTTP, requires Java Runtime Environment (JRE™)
Video Access from Web Browser	Camera live view for up to 10 video sources
Users	10 simultaneous users, unlimited number of users using multicast
Minimum Web Browser Requirements	IPC (Pentium® 4 microprocessor, 1.6 GHz) with Windows® 98/2000/XP (or higher) or Mac® OS X 10.3.9 (or higher)
RAM	512 MB
Ethernet Card	100 Megabits
Web Browser	Microsoft® Internet Explorer 5.5 (or higher) or FireFox® 1.5 (or higher)
Screen Resolution	1024 x 768 pixels or higher, 16- or 32-bit pixel color resolution
Firmware Upgrade	Pelco Device Utility or Endura Application
Supported Protocols	TCP/IP, UDP/IP (Unicast, multicast IGMP), UPnP, DNS, DHCP, RTP, NTP

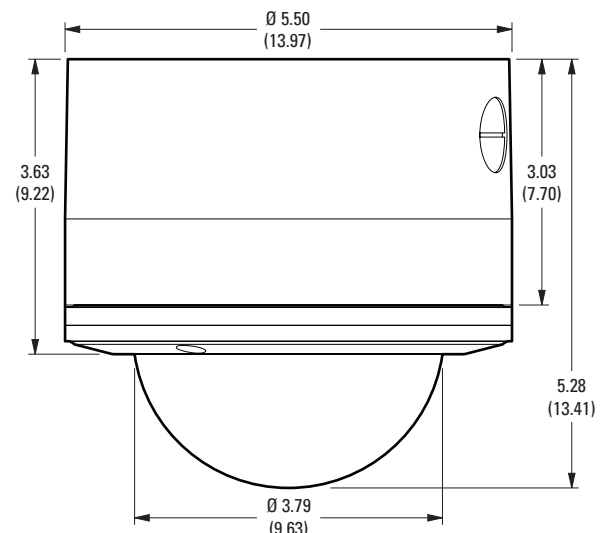
Software Included	Pelco Device Utility software identifies the IP address, checks the status of the device, and updates firmware
System Integration	Available at www.pelco.com/ipcam

ENVIRONMENTAL

Environment	Low temperature, indoor/outdoor
Operating Temperature	-50° to 122°F (-46° to 50°C); de-ices to 25°F (-4°C)
Thermostat Operation	Heater is thermostatically controlled to activate <41°F (<5°C)

CERTIFICATIONS/RATINGS/PATENTS

- CE, Class A
- UL Listed
- UL Listed to Canadian safety standards
- FCC, Class A
- Meets NEMA Type 4X and IP66 standards
- U.S. Patents D476,025; 6,715,939 B2; 6,805,498 B2



NOTE: VALUES IN PARENTHESES ARE CENTIMETERS; ALL OTHERS ARE INCHES.

Available from:

CablesPlus
 U * S * A

Cables Plus, LLC
 8504 Glazebrook Ave Richmond, VA 23228 ~ Toll Free (866) 678-5852
 www.CablesPlusUSA.com

CAMERA SPECIFICATIONS

	Day/Night Wide Dynamic Range Varifocal, Auto Iris (DW Series)	Day/Night High Resolution Varifocal, Auto Iris (DN Series)	Wide Dynamic Range Varifocal, Auto Iris (CW Series)	High Resolution Varifocal, Auto Iris (CH Series)
Imaging Device	1/3-inch Pixel Based Imager	1/3-inch Interline Color CCD	1/3-inch Pixel Based Imager	1/3-inch Interline Color CCD
Picture Elements	720 (H) x 540 (V)	768 (H) x 494 (V)	720 (H) x 540 (V)	768 (H) x 494 (V)
NTSC	720 (H) x 540 (V)	752 (H) x 582 (V)	720 (H) x 540 (V)	752 (H) x 582 (V)
PAL	720 (H) x 540 (V)	752 (H) x 582 (V)	720 (H) x 540 (V)	752 (H) x 582 (V)
Dynamic Range (DW/CW only)	102 dB typical 120 dB maximum	—	102 dB typical 120 dB maximum	—
Scanning System	2:1 Interlace/ Progressive (DIP switch)	2:1 Interlace	2:1 Interlace/ Progressive (DIP Switch)	2:1 Interlace
Horizontal Resolution	NTSC: 504 TV lines PAL: 504 TV lines	NTSC: 540 TV lines PAL: 540 TV lines	NTSC: 504 TV lines PAL: 504 TV lines	NTSC: 540 TV lines PAL: 540 TV lines
Signal-to-Noise Ratio	>53 dB	>50 dB	>53 dB	>50 dB
Minimum Illumination	Color (day): 0.8 lux SENS 8X: 0.2 lux B-W (night): 0.08 lux SENS 8X: 0.02 lux (F1.0, 40 IRE, AGC on, 75% scene reflectance)	Color (day): 0.15 lux B-W (night): 0.015 lux (F1.0, 40 IRE, AGC on, 75% scene reflectance)	Color (day): 0.8 lux SENS 8X: 0.2 lux (F1.0, 40 IRE, AGC on, 75% scene reflectance)	0.2 lux (F1.0, 40 IRE, AGC on, 75% scene reflectance)
Gain Control	Auto (36 dB maximum)	Auto/Manual (DIP switch)	Auto (36 dB maximum)	Auto/Manual (DIP switch)
Exposure	Auto (1/15 - 1/22,000)	Auto (1/60 - 1/100,000)	Auto (1/15 - 1/22,000)	Auto (1/60 - 1/100,000)
White Balance	Auto or manual (DIP switch), 2800°K - 7500°K	Auto or manual (DIP switch), 2500°K - 9500°K	Auto or manual (DIP switch), 2800°K - 7500°K	Auto or manual (DIP switch), 2500°K - 9500°K
Backlight Compensation	Auto	ON/OFF (DIP switch)	Auto	ON/OFF (DIP switch)

LENS SPECIFICATIONS

Series	Varifocal With Auto Iris			
	DW/CW Series		DN/CH Series	
Focal Length	3.0 mm ~ 9.5 mm	9.0 mm ~ 22.0 mm	3.0 mm ~ 9.5 mm	9.0 mm ~ 22.0 mm
Format Size	1/3-inch	1/3-inch	1/3-inch	1/3-inch
Relative Aperture (F)	1.0 to 1.8	1.5 to 2.9	1.0 to 1.8	1.5 to 2.9
Operation				
Iris	Auto	Auto	Auto	Auto
Focus	Manual	Manual	Manual	Manual
Zoom	Manual	Manual	Manual	Manual
Angle of View*				
Horizontal	100.4° to 31.6°	32.4° to 13.6°	95.0° to 30.2°	30.6° to 13.0°
Diagonal	131.6° to 39.6°	41.4° to 17.2°	123.6° to 37.6°	39.2° to 16.4°
Vertical	72.8° to 23.8°	23.8° to 10.2°	69.0° to 22.6°	22.6° to 9.8°

*Focal length specifications presume a 10% horizontal and 4% vertical monitor overscan.

MODEL NUMBERS

IP110-ENC IP110 Series surface mount enclosure (no camera/lens)
 IP110-LD IP110 Series smoked bubble
 IP111-LD IP110 Series clear bubble with liner

When ordering an IP110 Series surface mount dome with no camera or lens, please order one enclosure and one bubble.

SYSTEM NUMBERS

Camera Type	Lower Dome	Lens	Lens Type	NTSC	PAL
Day/Night, Wide Dynamic Range	Smoked	3-9 mm 9-22 mm	Varifocal, Auto Iris	IP110-DWV9 IP110-DWV22	
Day/Night, Wide Dynamic Range	Clear	3-9 mm 9-22 mm	Varifocal, Auto Iris	IP111-DWV9 IP111-DWV22	
Day/Night	Smoked	3-9 mm 9-22 mm	Varifocal, Auto Iris	IP110-DNV9 IP110-DNV22	IP110-DNV9X IP110-DNV22X
Day/Night	Clear	3-9 mm 9-22 mm	Varifocal, Auto Iris	IP111-DNV9 IP111-DNV22	IP111-DNV9X IP111-DNV22X
Color, Wide Dynamic Range	Smoked	3-9 mm 9-22 mm	Varifocal, Auto Iris	IP110-CWV9 IP110-CWV22	
Color, Wide Dynamic Range	Clear	3-9 mm 9-22 mm	Varifocal, Auto Iris	IP111-CWV9 IP111-CWV22	
Color, High Resolution	Smoked	3-9 mm 9-22 mm	Varifocal, Auto Iris	IP110-CHV9 IP110-CHV22	IP110-CHV9X IP110-CHV22X
Color, High Resolution	Clear	3-9 mm 9-22 mm	Varifocal, Auto Iris	IP111-CHV9 IP111-CHV22	IP111-CHV9X IP111-CHV22X

OPTIONAL ACCESSORIES

ICS110-AP Adapter plate for a 4S electrical box
 IP110-P Pendant mount adapter
 SWM Series Compact wall mount with cable feedthrough. Requires ICS110-PG adapter.
 ICS-SC 4-foot service/monitor cable; compatible with any standard monitor BNC connector

RECOMMENDED POWER SUPPLIES

TF2000 Power supply for one 24 VAC camera, 20 VA
 MCS Series Multiple 24 VAC camera power supply, indoor
 MCS*E Series Multiple 24 VAC camera power supply, indoor
 WCS Series Single/multiple 24 VAC camera power supply, outdoor

NOTICE: Judgment as to the suitability of the products for users' purposes is solely the users' responsibility. Users should refer to the Operation manuals for cautionary statements regarding user selected options and how they might affect video quality. Users shall determine the suitability of the products for their own intended application, picture rate and picture quality. In the event users intend to use the video for evidentiary purposes in a judicial proceeding or otherwise, users should consult with their attorney regarding any particular requirements for such use.